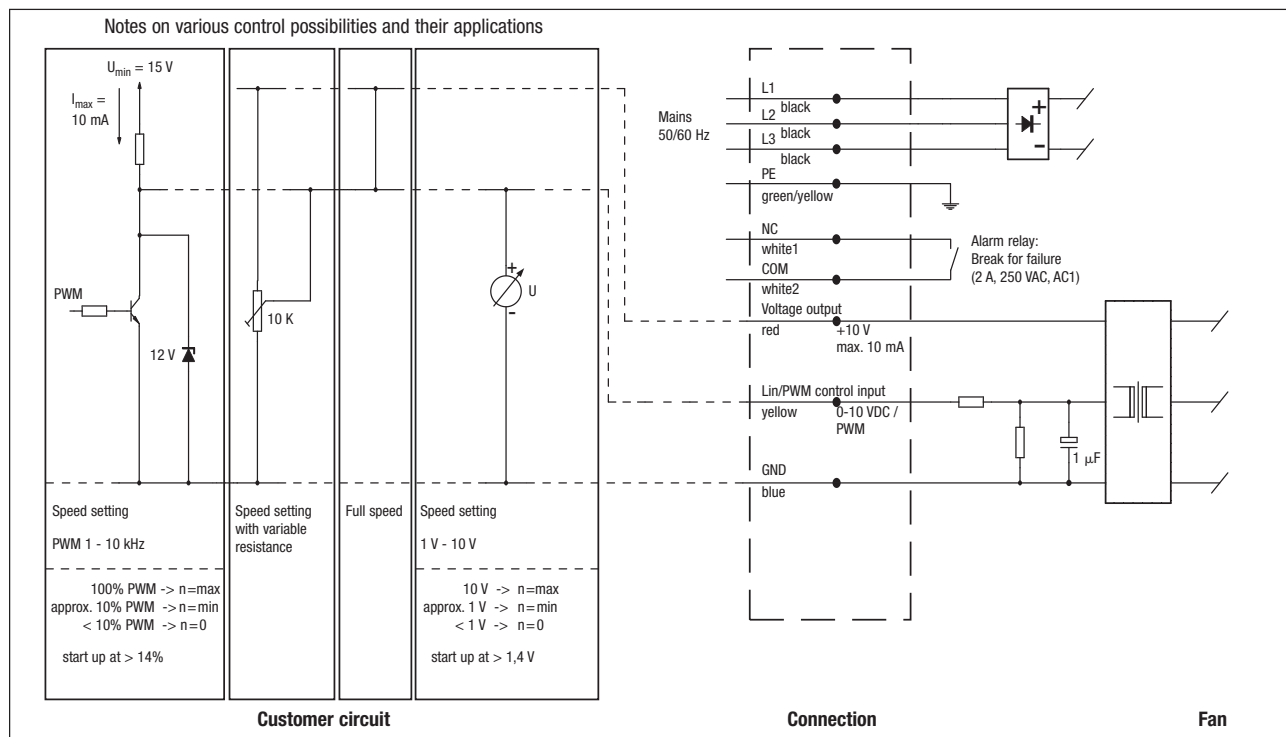


Electrical connections EC

K3)

Technical features:

- PFC (passive)
- Control input 0-10 VDC / PWM
- Output 10 VDC ($\pm 20\%$) max. 10 mA
- Alarm relay
- Electronics / motor overtemperature protection
- Line undervoltage / phase failure detection
- Motor current limitation
- Locked-rotor protection, soft start



Line	Connection	Colour	Assignment / function	Line	Connection	Colour	Assignment / function
1	L1	black	Mains; L1	2	+10 V	red	Voltage output +10 V max. 1.1 mA
	L2	black	Mains; L2		0-10 V / PWM	yellow	Control input (Impedance 100 kΩ)
	L3	black	Mains; L3		GND	blue	GND
	PE	green/yel	Protective earth				
	NC	white1	Alarm relay, break for failure				
	COM	white2	Alarm relay, COMMON				