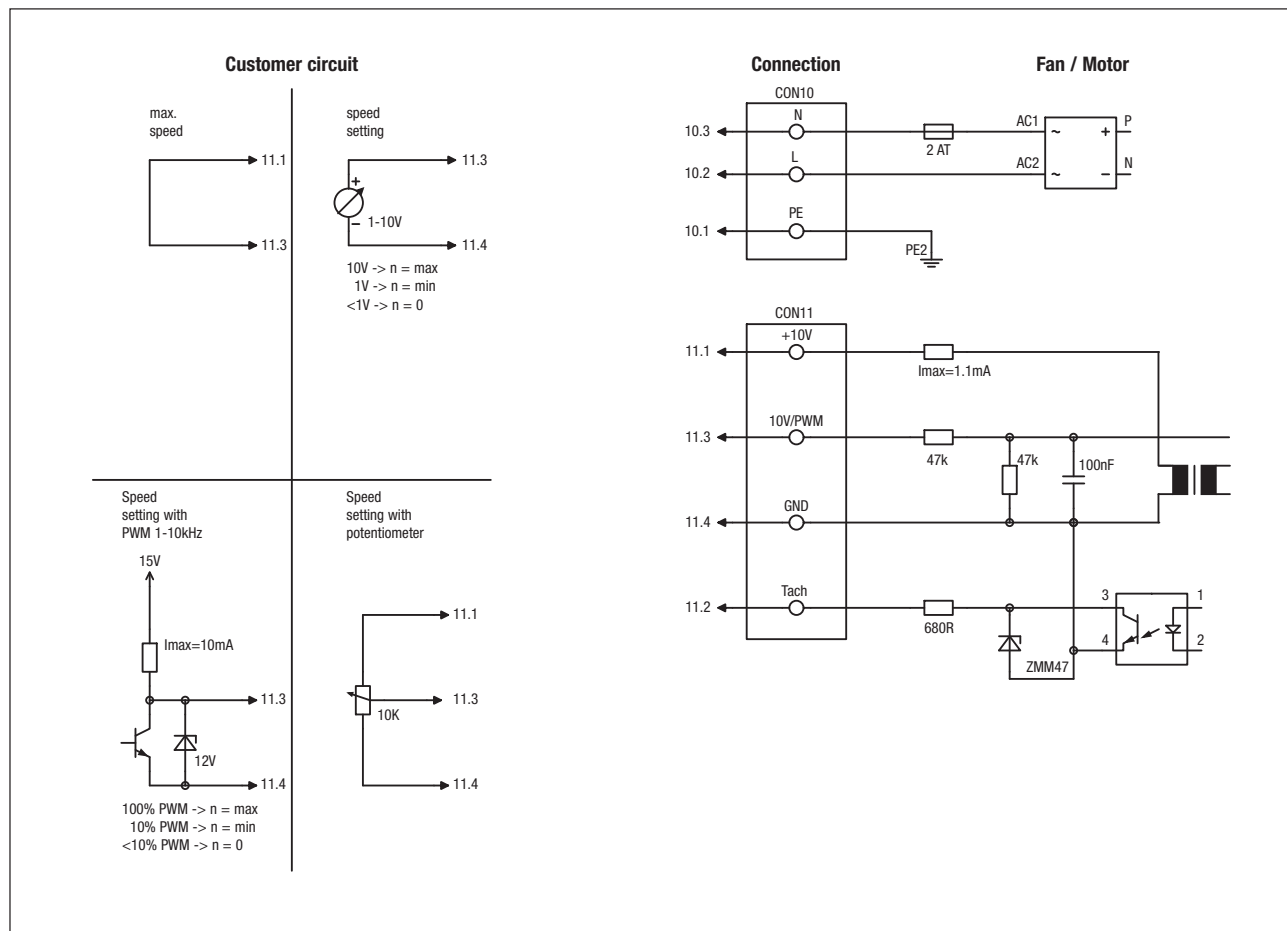


## Electrical connections EC

H6)



Line	No.	Connection	Colour	Assignment / function
CON10	10.1	PE	green/yellow	Protective earth
CON10	10.2	L	black	Power supply 230 VAC, 50 - 60 Hz, see type plate for voltage range
CON10	10.3	N	blue	Neutral conductor
CON11	11.1	10V/max.1.1mA	red	Voltage output 10V / 1mA, electrically isolated
CON11	11.2	Tach	white	Tach output: Open Collector, 1 pulse per revolution, electrically isolated
CON11	11.3	0-10V PWM	yellow	Control input 0 - 10 V or PWM, electrically isolated
CON11	11.4	GND	blue	GND - Connection for control interface