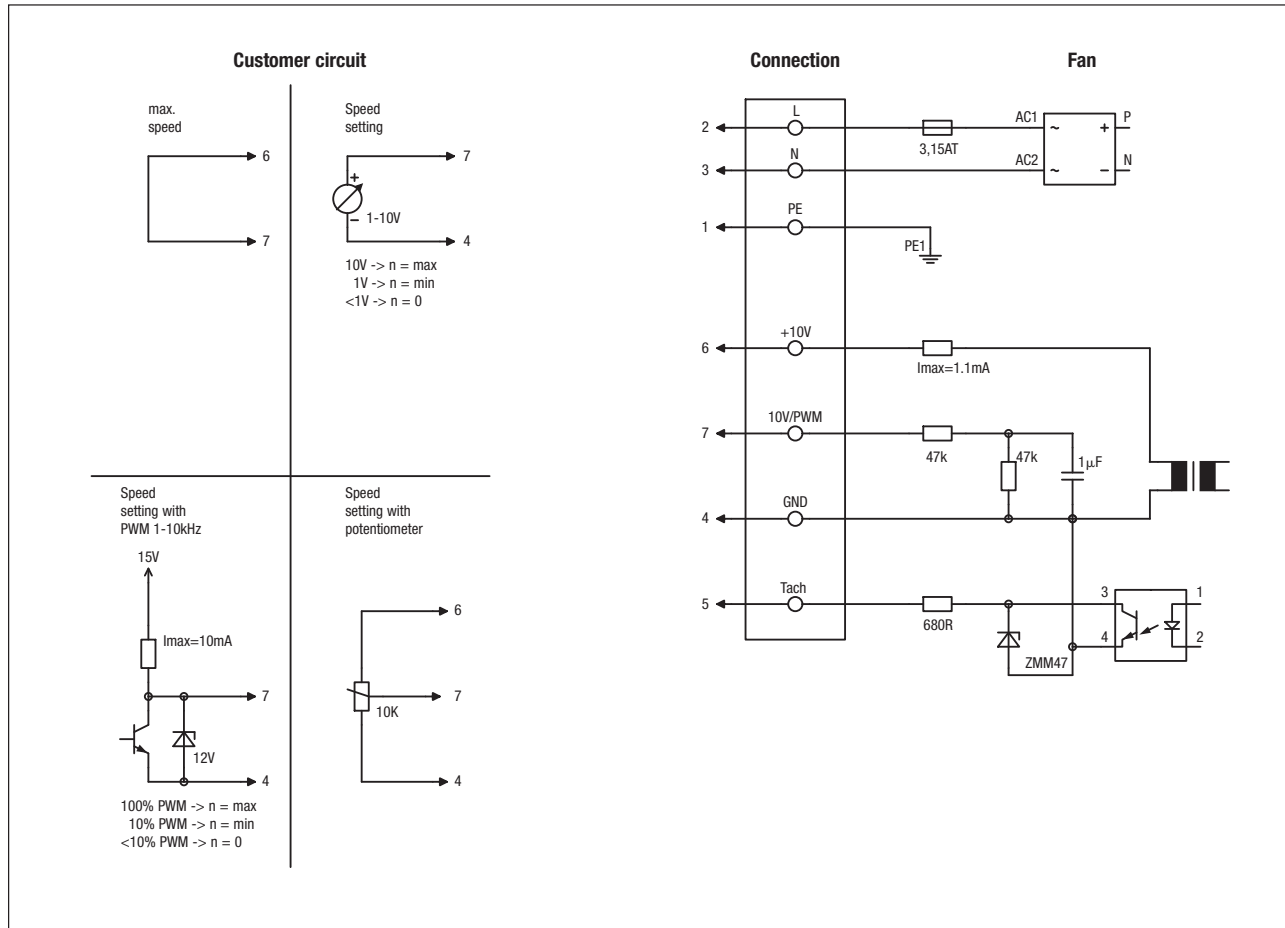


# Electrical connections EC H5)

## Technical features (M3G 055 Speed-controlled):

- Output 10 VDC max. 1,1 mA
- Tach output
- Over-temperature protected motor
- Motor current limitation
- Locked-rotor protection
- Soft start
- Control interface with SELV potential safely disconnected from the mains



Line	Connection	Colour	Assignment / function
2	L	brown	Power supply 230 VAC, 50 - 60 Hz, see type plate for voltage range
3	N	blue	Neutral conductor
1	PE	green/yellow	Protective earth
7	0-10V PWM	yellow	Control input 0 - 10 V or PWM, electrically isolated
5	Tach	white	Tach output: Open Collector, 1 pulse per revolution, electrically isolated, Isink max=10mA
6	10V/max.1.1mA	red	Voltage output 10 V / 1.1 mA, electrically isolated
4	GND	blue	GND - Connection for control interface