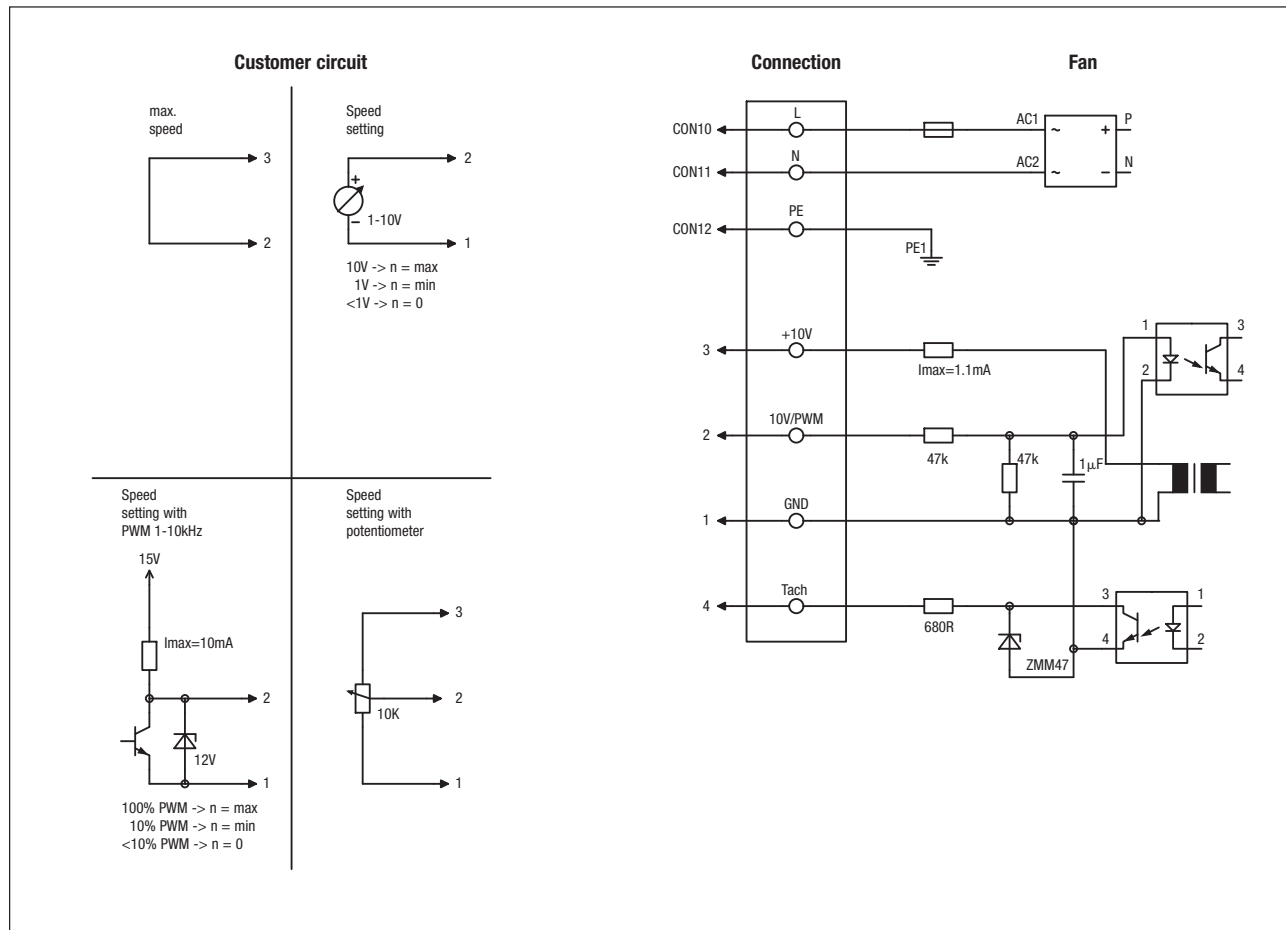


Electrical connections EC H4)

Technical features (M3G 045 / M3G 055 Speed-controlled; M3G 074):

- Control input 0-10 VDC / PWM
- Output 10 VDC max. 1,1 mA
- Tach output
- Over-temperature protected electronics / motor
- Motor current limitation
- Locked-rotor protection
- Soft start



Line	Connection	Colour	Assignment / function
CON10	L	black	Power supply 230 VAC, 50 - 60 Hz, see type plate for voltage range
CON11	N	blue	Neutral conductor
CON12	PE	green/yellow	Protective earth
1	GND	blue	GND - Connection for control interface
2	0-10V PWM	yellow	Control input 0 - 10 V or PWM, electrically isolated
3	10V/max.1.1mA	red	Voltage output 10 V / 1.1 mA, electrically isolated, not short-circuit-proof
4	Tach	white	Tach output: Open Collector, 1 pulse per revolution, electrically isolated