

Technical data

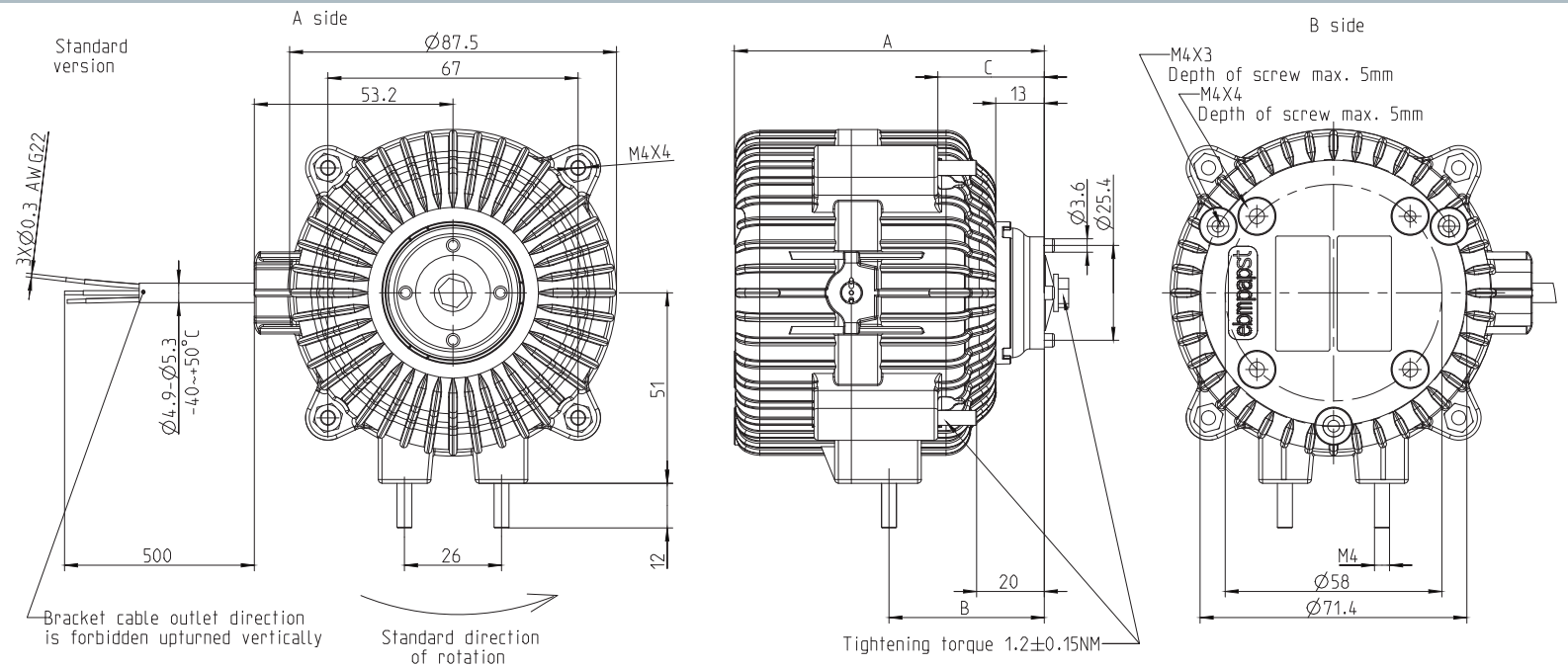
Nominal data		Nominal voltage	Frequency	Speed/rpm	Output power	Perm. amb. temp.	Mass	Dimensions		
Type	Features	V	Hz	rpm	W	°C	kg	a	b	c
iQC3608	ROS**, 1 Speed	220-240	50/60	max.1500	5	-40..+50	0,5	83	41,5-43,5	28,5
	ROS**, 2 Speed	220-240	50/60	900*/1500	5	-40..+50	0,5			
	ROD	220-240	50/60	1500	5	-40..+50	0,5			
iQC 3612	ROS**, 1 Speed	220-240	50/60	max.1500	15	-40..+50	0,6	83	41,5-43,5	28,5
	ROS**, 2 Speed	220-240	50/60	900*/1500	15	-40..+50	0,6			
	ROD	220-240	50/60	1500	15	-40..+50	0,6			

* 900rpm could be changed on demand(100 integer multiple)

** ROS could be canceled on demand

ROS: reverse on start

ROD: reverse on demand

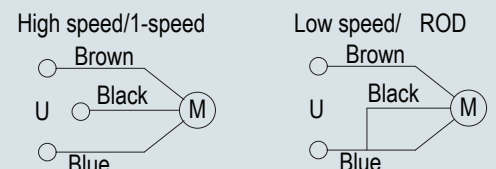


General overview of data: iQC

Material:	PBT
Direction of air flow:	Sucking or blowing (depending on axial impeller used)
Direction of rotation:	Counterclockwise, seen on shaft end
System of protection:	IP55
Insulation class:	"B"
Mounting position:	Any
Mode of operation:	Continuous operation (S1)
Bearings:	Maintenance-free ball bearings
Motor protection:	Via electronics
Electrical connection:	Mains cable
Ambient temperature:	-40°C +50°C
Relative humidity:	0 95%

Protection class:	II
Approvals:	CCC
Mounting attachment parts:	Guard grille and wall ring are attached to the projecting thread ends on the A side
Axial impeller attachment:	A plastic adapter with catching peg and M4 screw is used to secure the impeller on the motor shaft

Wire diagram:



iQC-motor – combination with axial impellers

Power input and air flow

Motor	Axial impeller diameter	Axial impeller blade angle	Curves	Input power running at full throttle	Input power running at free air	Air flow running at free air at n=1500 rpm
iQC 3608	mm	°		W	W	m³/h
	154	22	A	3,0	2,0	170
	154	28		3,8	2,8	190
	154	34		4,1	3,3	220
	172	22	B	4,6	2,6	230
	172	28		6,1	3,8	270
	172	34		7,8	5,0	310
	200	22	C	9,2	4,5	360
	200	28		9,2	5,5	410
iQC 3612	mm	°		W	W	m³/h
	172	28	B	4,2	2,9	270
	172	34		5,7	3,8	310
	200	22	D	5,1	3,4	360
	200	28		8,3	5,3	410
	200	34		12,1	7,3	470
	230	22	E	9,6	6,0	520
	230	28		19,0	13,1	710
	230 *	34		20,5	16,9	750
	254	22	F	21,2	11,3	710
	254 *	28		19,3	21,2	980

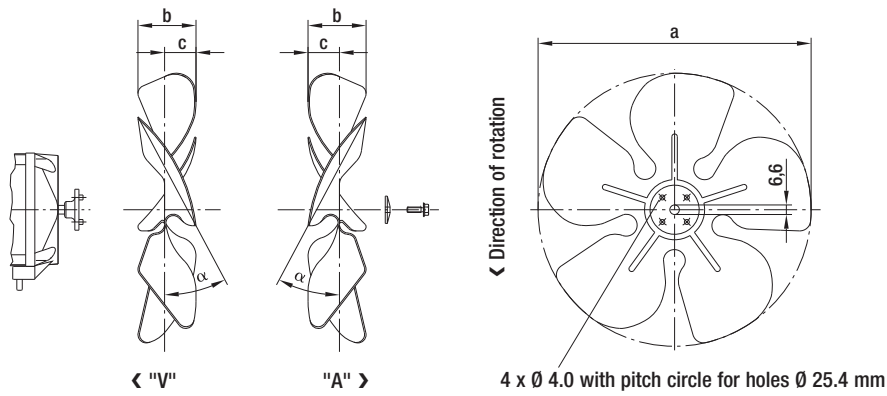
subject to alterations

* Depending on back pressure, full nominal speed of 1500 min⁻¹ is not reached to some part. Depending on mounting situation and version, a speed of approx. 1200 min⁻¹ (+/- 100 min⁻¹) is reached. Due to the intelligent electronics, however, safe (permanent) operation is still guaranteed.

Power ratings (220 - 240 V design):

Power input and air flow at 230 V / 50 Hz and a constant speed of 1500 min⁻¹.

Axial impellers



– Material: Sheet aluminium

Axial impellers

Part no. for dir. of air flow "V"	Part no. for dir. of air flow "A"	Blade angle α	a	b	c
73801-2-3634	73761-2-3634	$22^\circ \pm 1^\circ 30'$	154,0	27,5	14,0
73802-2-3634	73762-2-3634	$28^\circ \pm 1^\circ 30'$	154,0	32,0	16,0
73803-2-3634	73763-2-3634	$34^\circ \pm 1^\circ 30'$	154,0	37,0	18,0
73804-2-3634	73764-2-3634	$22^\circ \pm 1^\circ 30'$	172,0	31,0	14,5
73805-2-3634	73765-2-3634	$28^\circ \pm 1^\circ 30'$	172,0	36,0	17,0
73806-2-3634	73766-2-3634	$34^\circ \pm 1^\circ 30'$	172,0	42,0	21,0
73807-2-3634	73767-2-3634	$22^\circ \pm 1^\circ 30'$	200,0	32,0	15,5
73808-2-3634	73768-2-3634	$28^\circ \pm 1^\circ 30'$	200,0	37,5	18,0
73809-2-3634	73769-2-3634	$34^\circ \pm 1^\circ 30'$	200,0	45,0	22,0
73810-2-3634	73710-2-3634	$22^\circ \pm 1^\circ 30'$	230,0	35,0	17,5
37811-2-3634	73711-2-3634	$28^\circ \pm 1^\circ 30'$	230,0	43,0	21,5
73812-2-3634	72712-2-3634	$34^\circ \pm 1^\circ 30'$	230,0	50,0	24,0
73813-2-3634	73713-2-3634	$22^\circ \pm 1^\circ 30'$	254,0	37,0	19,0
73814-2-3634	73714-2-3634	$28^\circ \pm 1^\circ 30'$	254,0	45,0	23,5
37815-2-3634	73715-2-3634	$34^\circ \pm 1^\circ 30'$	254,0	52,0	26,0
73816-2-3634	73716-2-3634	$22^\circ \pm 1^\circ 30'$	300,0	43,0	21,5
73817-2-3634	73717-2-3634	$28^\circ \pm 1^\circ 30'$	300,0	53,5	26,5
73818-2-3634	73718-2-3634	$34^\circ \pm 1^\circ 30'$	300,0	61,0	30,0

subject to alterations

ebm-papst Ventilator (Shanghai) Co., Ltd.

No.418, Huajing Road, Pudong, Shanghai

Phone: 021-50460183

Fax: 021-50461119

sales@cn.ebmpapst.com



ebmpapst

The engineer's choice